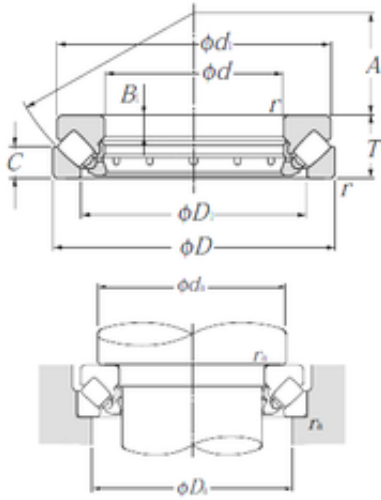




China JCB Hydraulic Final Drive Motor...



29238 NTN Thrust Spherical Roller Bearing

Bearing No. 29238

Size	190x270x48 mm
Bore Diameter	190 mm
Outer Diameter	270 mm
Width	48 mm
d	190 mm
D	270 mm
T	48 mm
B1	15 mm
C	24 mm
d1	262 mm
r min.	2 mm
A	104 mm
D1	223 mm
da min.	225 mm
Da max.	245 mm
ra max.	2 mm
Weight	8,8 Kg
Basic dynamic load rating (C)	530 kN
Basic static load rating (C0)	2 230 kN

29238 Bearing 2D drawings and 3D CAD models