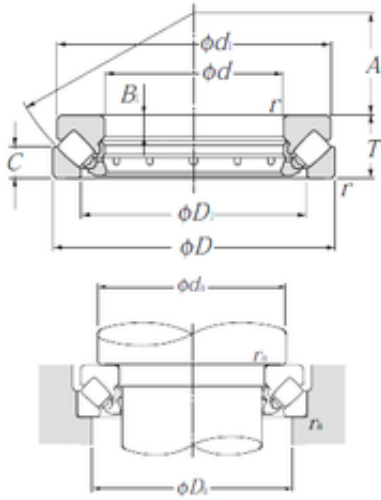




## China JCB Hydraulic Final Drive Motor...



### 29436 NTN Thrust Spherical Roller Bearing

Bearing No. 29436

Size	180x360x109 mm
Bore Diameter	180 mm
Outer Diameter	360 mm
Width	109 mm
d	180 mm
D	360 mm
T	109 mm
B1	39 mm
C	52 mm
d1	342 mm
r min.	5 mm
A	110 mm
D1	255 mm
da min.	260 mm
Da max.	300 mm
ra max.	4 mm
Weight	52,9 Kg
Basic dynamic load rating (C)	1 840 kN
Basic static load rating (C0)	6 200 kN
Category	Bearings
Inventory	0.0
Manufacturer Name	NTN
Minimum Buy Quantity	N/A
Weight / US pound	116.404
Product Group	B04311

29436 Bearing 2D drawings and 3D CAD models