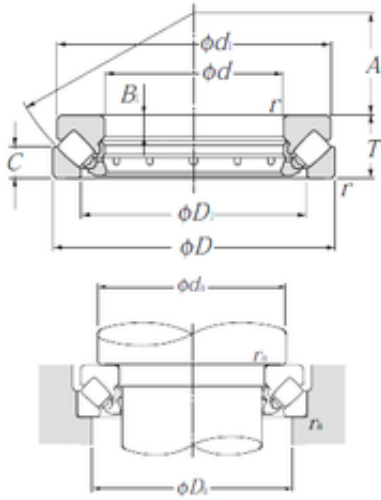




## China JCB Hydraulic Final Drive Motor...



### 29336 NTN Thrust Spherical Roller Bearing

Bearing No. 29336

Size	180x300x73 mm
Bore Diameter	180 mm
Outer Diameter	300 mm
Width	73 mm
d	180 mm
D	300 mm
T	73 mm
B1	25 mm
C	35 mm
d1	290 mm
r min.	3 mm
A	103 mm
D1	232 mm
da min.	235 mm
Da max.	260 mm
ra max.	2,5 mm
Weight	21,2 Kg
Basic dynamic load rating (C)	995 kN
Basic static load rating (C0)	3 600 kN
Category	Roller Bearings
Inventory	0.0
Manufacturer Name	NTN
Minimum Buy Quantity	N/A
Weight / Kilogram	21
Product Group	B04311
bore diameter:	180 mm

29336 Bearing 2D drawings and 3D CAD models



## China JCB Hydraulic Final Drive Motor...

bearing material:	Through Hardened Steel
outside diameter:	300 mm
operating temperature range:	-40 to 120 ° C
overall width:	73 mm
maximum rpm:	1100 rpm
cage type:	Machined - Two Piece
separable type:	Separable Bearing
enclosure:	Open
fillet radius:	3 mm
cage material:	Brass
series:	293
static load capacity:	3600000 N
manufacturer product page:	<a href="#">Click here</a>
dynamic load capacity:	995000 N