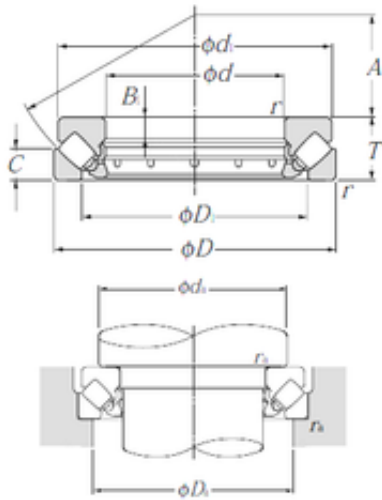




China JCB Hydraulic Final Drive Motor...



29236 NTN Thrust Spherical Roller Bearing

Bearing No. 29236

Size	180x250x42 mm
Bore Diameter	180 mm
Outer Diameter	250 mm
Width	42 mm
d	180 mm
D	250 mm
T	42 mm
B1	15 mm
C	20 mm
d1	243 mm
r min.	1,5 mm
A	97 mm
D1	208 mm
da min.	211 mm
Da max.	228 mm
ra max.	1,5 mm
Weight	6,27 Kg
Basic dynamic load rating (C)	450 kN
Basic static load rating (C0)	1 920 kN
Category	Roller Bearings
Inventory	0.0
Manufacturer Name	NTN
Minimum Buy Quantity	N/A
Weight / Kilogram	6.24
Product Group	B04311

29236 Bearing 2D drawings and 3D CAD models