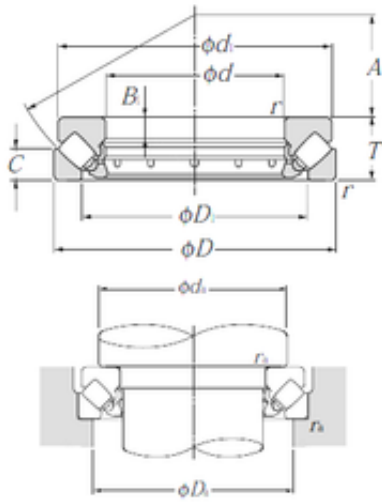




## China JCB Hydraulic Final Drive Motor...



### 29434 NTN Thrust Spherical Roller Bearing

Bearing No. 29434

Size	170x340x103 mm
Bore Diameter	170 mm
Outer Diameter	340 mm
Width	103 mm
d	170 mm
D	340 mm
T	103 mm
B1	37 mm
C	50 mm
d1	324 mm
r min.	5 mm
A	104 mm
D1	243 mm
da min.	245 mm
Da max.	285 mm
ra max.	4 mm
Weight	45 Kg
Basic dynamic load rating (C)	1 660 kN
Basic static load rating (C0)	5 750 kN
Category	Roller Bearings
Inventory	0.0
Manufacturer Name	NTN
Minimum Buy Quantity	N/A
Weight / Kilogram	49.75
Product Group	B04311
bore diameter:	170 mm

29434 Bearing 2D drawings and 3D CAD models



## China JCB Hydraulic Final Drive Motor...

bearing material:	Through Hardened Steel
outside diameter:	340 mm
operating temperature range:	-40 to 120 ° C
overall width:	103 mm
maximum rpm:	940 rpm
cage type:	Machined - Two Piece
separable type:	Separable Bearing
enclosure:	Open
fillet radius:	5 mm
cage material:	Brass
series:	294
static load capacity:	5750000 N
manufacturer product page:	<a href="#">Click here</a>
dynamic load capacity:	1660000 N