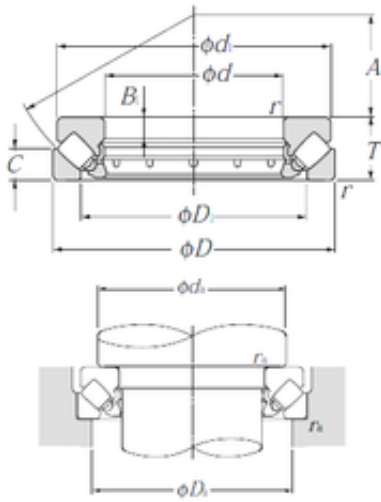




China JCB Hydraulic Final Drive Motor...



29432 Bearing 2D drawings and 3D CAD models

29432 NTN Thrust Spherical Roller Bearing

Bearing No. 29432

Size	160x320x95 mm
Bore Diameter	160 mm
Outer Diameter	320 mm
Width	95 mm
d	160 mm
D	320 mm
T	95 mm
B1	34 mm
C	45 mm
d1	306 mm
r min.	5 mm
A	99 mm
D1	229 mm
da min.	230 mm
Da max.	265 mm
ra max.	4 mm
Weight	37 Kg
Basic dynamic load rating (C)	1 500 kN
Basic static load rating (C0)	5 150 kN
Category	Roller Bearings
Inventory	0.0
Manufacturer Name	NTN
Minimum Buy Quantity	N/A
Weight / Kilogram	36.6
Product Group	B04311
bore diameter:	160 mm



China JCB Hydraulic Final Drive Motor...

bearing material:	Through Hardened Steel
outside diameter:	320 mm
operating temperature range:	-40 to 120 ° C
overall width:	95 mm
maximum rpm:	1000 rpm
cage type:	Machined - Two Piece
separable type:	Separable Bearing
enclosure:	Open
fillet radius:	5 mm
cage material:	Brass
series:	294
static load capacity:	5150000 N
manufacturer product page:	Click here
dynamic load capacity:	1500000 N