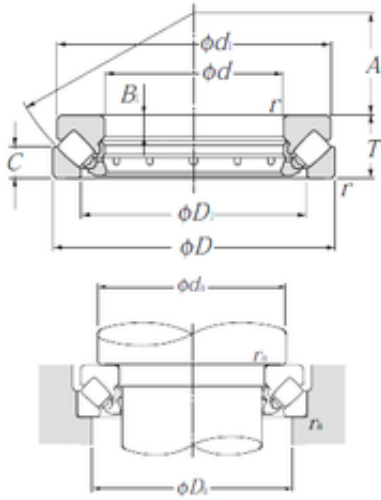




China JCB Hydraulic Final Drive Motor...



29332 NTN Thrust Spherical Roller Bearing

Bearing No. 29332

| | |
|-------------------------------|-----------------|
| Size | 160x270x67 mm |
| Bore Diameter | 160 mm |
| Outer Diameter | 270 mm |
| Width | 67 mm |
| d | 160 mm |
| D | 270 mm |
| T | 67 mm |
| B1 | 24 mm |
| C | 32 mm |
| d1 | 260 mm |
| r min. | 3 mm |
| A | 92 mm |
| D1 | 208 mm |
| da min. | 210 mm |
| Da max. | 235 mm |
| ra max. | 2,5 mm |
| Weight | 15,9 Kg |
| Basic dynamic load rating (C) | 820 kN |
| Basic static load rating (C0) | 2 860 kN |
| Category | Roller Bearings |
| Inventory | 0.0 |
| Manufacturer Name | NTN |
| Minimum Buy Quantity | N/A |
| Weight / Kilogram | 15.7 |
| Product Group | B04311 |

29332 Bearing 2D drawings and 3D CAD models