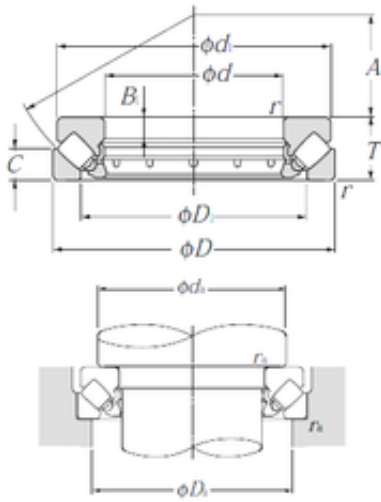




China JCB Hydraulic Final Drive Motor...



29232 NTN Thrust Spherical Roller Bearing

Bearing No. 29232

Size	160x225x39 mm
Bore Diameter	160 mm
Outer Diameter	225 mm
Width	39 mm
d	160 mm
D	225 mm
T	39 mm
B1	14 mm
C	19 mm
d1	219 mm
r min.	1,5 mm
A	86 mm
D1	188 mm
da min.	189 mm
Da max.	206 mm
ra max.	1,5 mm
Weight	4,88 Kg
Basic dynamic load rating (C)	360 kN
Basic static load rating (C0)	1 460 kN
Category	Roller Bearings
Inventory	0.0
Manufacturer Name	NTN
Minimum Buy Quantity	N/A
Weight / Kilogram	4.81
Product Group	B04311
bore diameter:	160 mm

29232 Bearing 2D drawings and 3D CAD models



China JCB Hydraulic Final Drive Motor...

dynamic load capacity:	360 kn
outside diameter:	225 mm
maximum rpm:	1700 RPM
overall width:	39 mm
separable type:	Separable Bearing
cage material:	Brass
fillet radius:	1.5 mm
static load capacity:	1460 kN
series:	292